

# TEAC

## SERVICE MANUAL

# CR-H225/255

CD Receiver



CR-H255 only

CR-H225 : EUR/UK

CR-H255 : EUR/UK

### CONTENTS

1	SPECIFICATIONS .....	2
2	EXPLODED VIEWS AND PARTS LIST .....	3
3	PC BOARDS AND PARTS LIST .....	5
4	INCLUDED ACCESSORIES .....	12

### NOTES

- PC boards shown are viewed from parts side.
- The parts with no reference number or no parts number in the exploded views are not supplied.
- As regards the resistors and capacitors, refer to the circuit diagrams contained in this manual.
- ⚠ Parts marked with this sign are safety critical components. They must be replaced with identical components – refer to the appropriate parts list and ensure exact replacement.

Preliminary  
暫定版

# 1 SPECIFICATIONS

## AMPLIFIER Section

Output Power	25 W/ch (6 ohms, 0.5%, 1 kHz)
Input Sensitivity	400 mV/47 kohms
Frequency Response	20 Hz to 60,000 Hz (+1/-3 dB)

## TUNER Section

### FM Section

Tuning Range	87.50 MHz to 108.00 MHz (50 kHz steps)
Signal-to-Noise Ratio	65 dB (Mono) 60 dB (Stereo)
Presets	30

### AM Section

Tuning Range	522 kHz to 1629 kHz (9 kHz steps)
Signal-to-Noise Ratio	35 dB
Presets	30

### DAB Section (CR-H255 ONLY)

Tuning range	Band 3, 174 MHz-240 MHz
Input	50 ohms, nominal
Max signal	-3 dBm typ
Sensitivity	-96 dBm typ
Adjacent Channel Rejection	35 dB typ
Presets	10
Audio output	Stereo, 2.5 V P-P
Digital output	24 bit/48 kHz resolution

## CD PLAYER Section

Frequency Response	20 Hz to 20,000 Hz ( $\pm 2$ dB)
Signal-to-Noise Ratio	more than 95 dB
Wow and Flutter	Unmeasurable

## USB Section

### Playback

Frequency Response	20 Hz to 20,000 Hz ( $\pm 2$ dB)
Signal-to-Noise Ratio	more than 85 dB

### Recording

Frequency Response	20 Hz to 15,000 Hz ( $\pm 2$ dB)
Signal-to-Noise Ratio	more than 85 dB

## GENERAL

Power Requirements	230 V AC, 50 Hz
Power Consumption	75 W (standby) 1.5 W

Dimension (W x H x D)	215 x 110 x 359 mm
Weight	4.4 kg

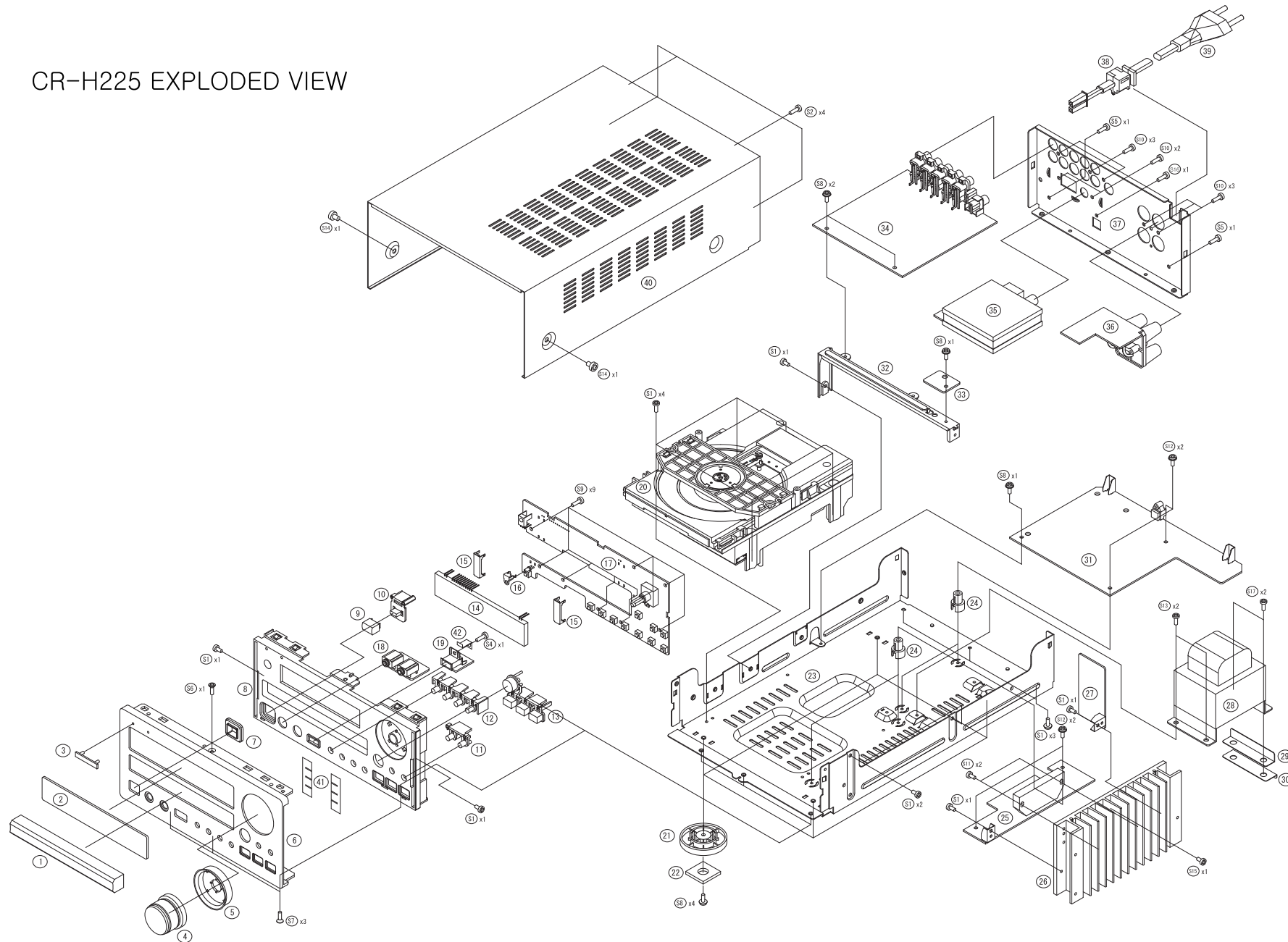
- Design and specifications are subject to change without notice.
- Weight and dimensions are approximate.
- Illustrations may differ slightly from production models.

## Standard Accessories

Remote Control Unit (RC-1038)	x 1
Batteries (AAA)	x 2
AM Loop Antenna	x 1
FM Lead-type Antenna	x 1
DAB Antenna	x 1 (CR-H255 ONLY)
Owner's Manual	x 1
Coution Sheet	x 1
Warranty Card	x 1

## 2 EXPLODED VIEWS AND PARTS LIST

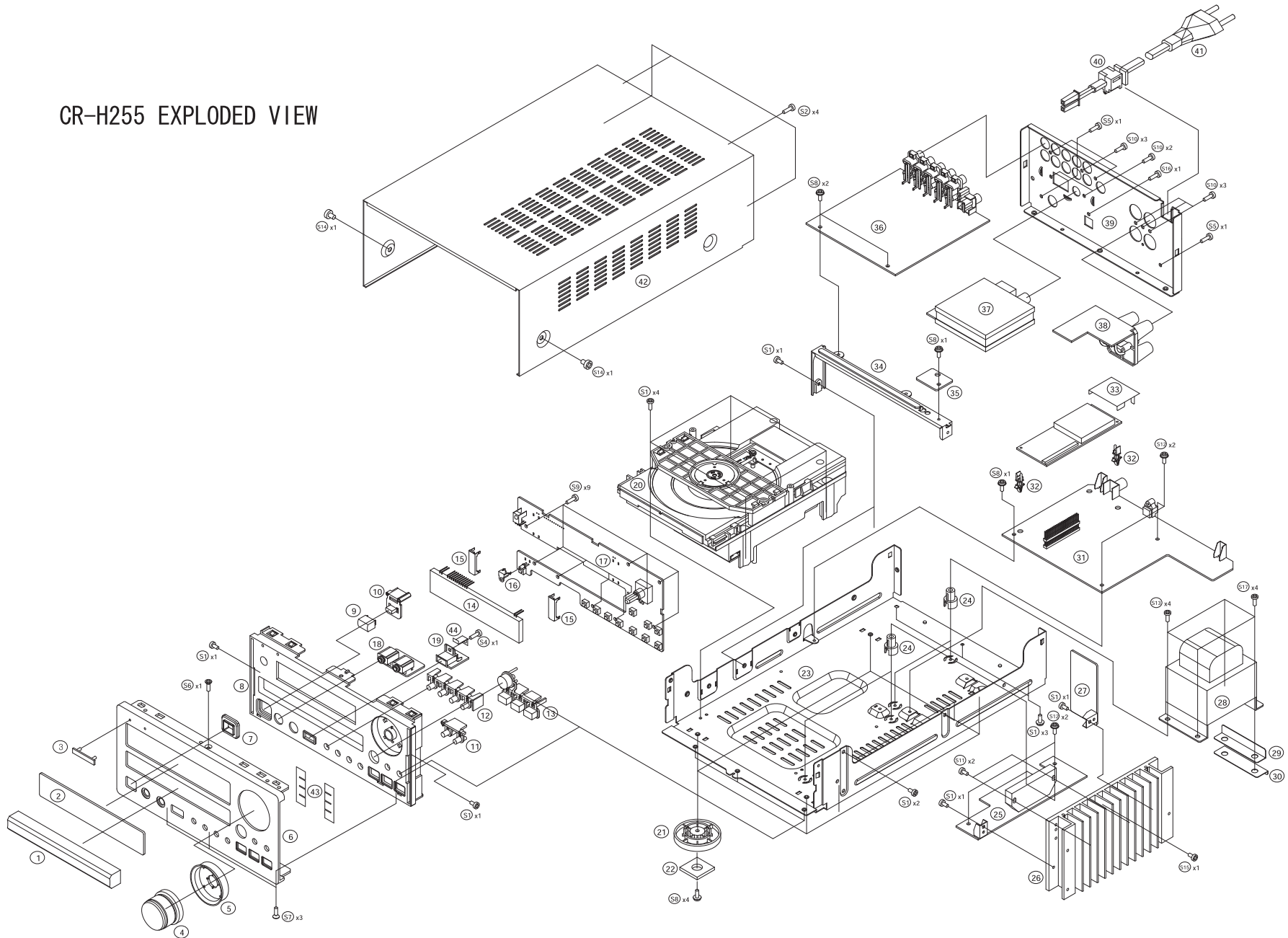
CR-H225 EXPLODED VIEW



EXPLODED VIEW LIST (CR-H225)

REF. NO.	PARTS NO.	DESCRIPTION	REMARKS
1	CGR1A345M7YG5	ORNAMENT, DOOR	
2	CGU1A347Z	WINDOW, FIP	
3	KGB1A047Z	BADGE	
4	CGK1A098YA	VOLUME KNOB ASS'Y	
5	CGR1A346MBC22	ORNAMENT, RING	
6	CKM1A164ZC35	PANEL, FRONT (AL)	
7	CGL1A133	INDICATOR, STAND BY	
8	CGW1A406M7ZG5	PANEL, SUB	
9	CBT1A495M7G5	CAP, STAND BY	
10	CBT1A483	KNOB, STAND BY	
11	CBT1A493MBC22	KNOB, CPS	
12	CBT1A942M7G5	KNOB, MODE	
13	CBT1A943M7ZG5	KNOB, PLAY	
14		FIP	
15	CMD1A468	BRACKET, FIP	
16	CMD1A376	SUPPORT, LED	
17		FRONT PCB ASS'Y	
18		PHON PCB ASS'Y	
19		USB PCB ASS'Y	
20	CJDKSL2130CCM	CD SIGNLE MECHA	
21	CKL2A055H45	FOOT	
22	KHG1A050Y	CUSHION, FOOT	
23	CUA1A248	CHASSIS, BOTTOM	
24	CHE1A030	HOLDER, PCB 4	
25		AMP PCB ASS'Y	
26	CMY1A233	HEAT SINK	
27		AMP (2) PCB ASS'Y	
28		TRANS, POWER	
29	△ CGX1A361	SHEET, HIGH	
30	CGX1A362	SHEET, LOW	
31		POWER PCB ASS'Y	
32	CMD1A565	BRACKET, PCB	
33		CLAMPING PCB	
34		MAIN PCB ASS'Y	
35	CNVMB114MA18L	TUNER MODULE	
36		SPEAKER PCB ASS'Y	
37	CKF4A282U	PANEL, REAR	
38	KHR1A028	BUSHING, AC CORD	
39	△ CJA2B043ZA	CORD, POWER (EUR) QDR-7100CC	[EUR]
	△ CJA2E045ZA	CORD, POWER	[UK]
40	CKC1B156S35	CABINET, TOP	
41	CMC1A283	PLATE, EARTH	
42	CMC1A285	PLATE, EARTH	
S1	CTB3+6J	SCREW	
S2	CTB3+6JFC	SCREW	
S3	CTB3+6JFZ	SCREW	
S4	CTB3+8G	SCREW	
S5	CTB3+8JFZ	SCREW	
S6	CTS3+8G	SCREW	
S7	CTS3+8JFC	SCREW	
S8	CTW3+8J	SCREW	
S9	CTB3+10G	SCREW	
S10	CTB3+10GFZ	SCREW	
S11	CTW3+12J	SCREW	
S12	CTW3+18J	SCREW	
S13	CTB4+6F	SCREW	
S14	CTB4+6FFC	SCREW	
S15	CTB3+8J	SCREW	
S16	CTB3+8GFZ	SCREW	
S17	CTB4+8F	SCREW	

# CR-H255 EXPLODED VIEW

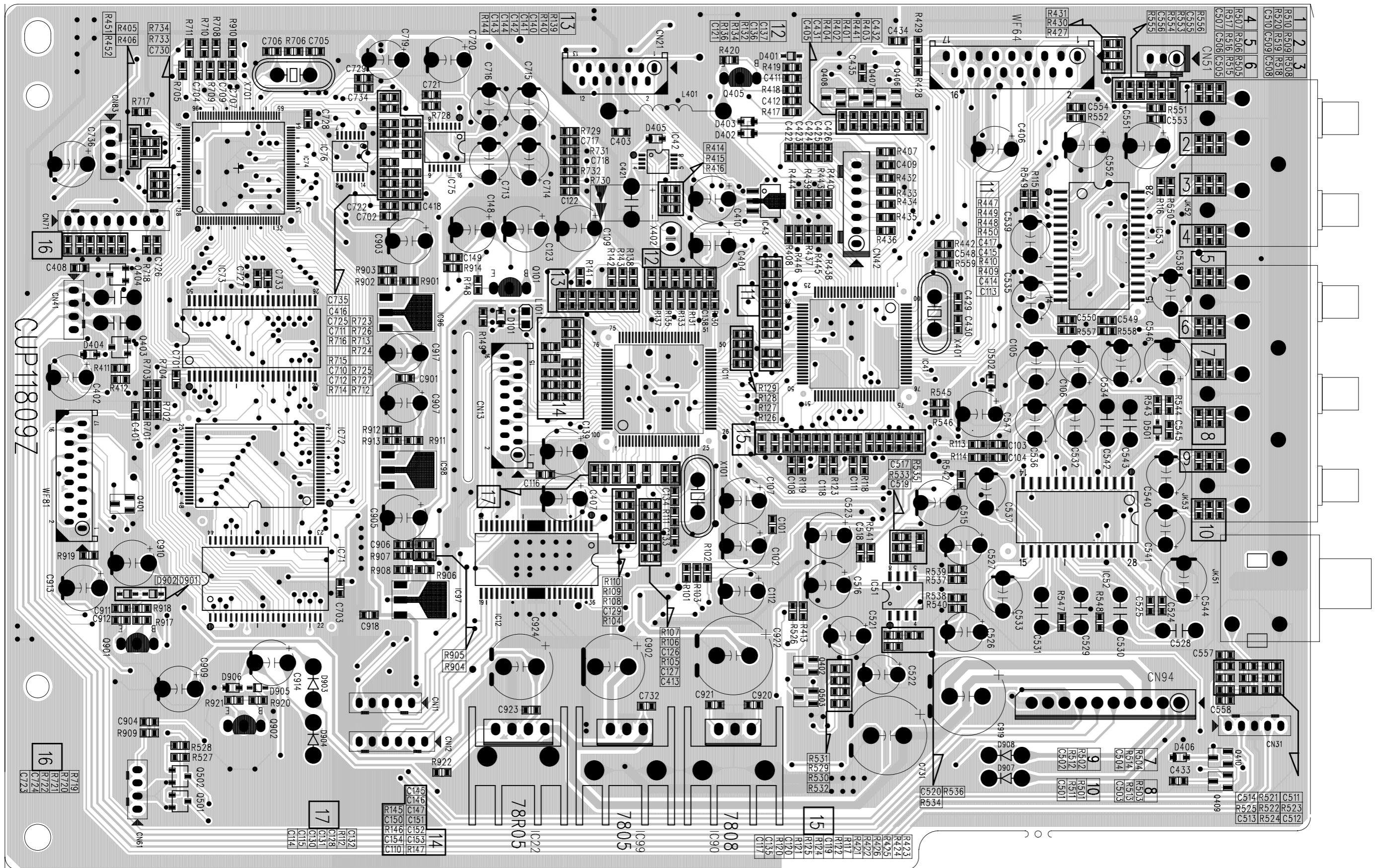


EXPLODED VIEW LIST (CR-H255)

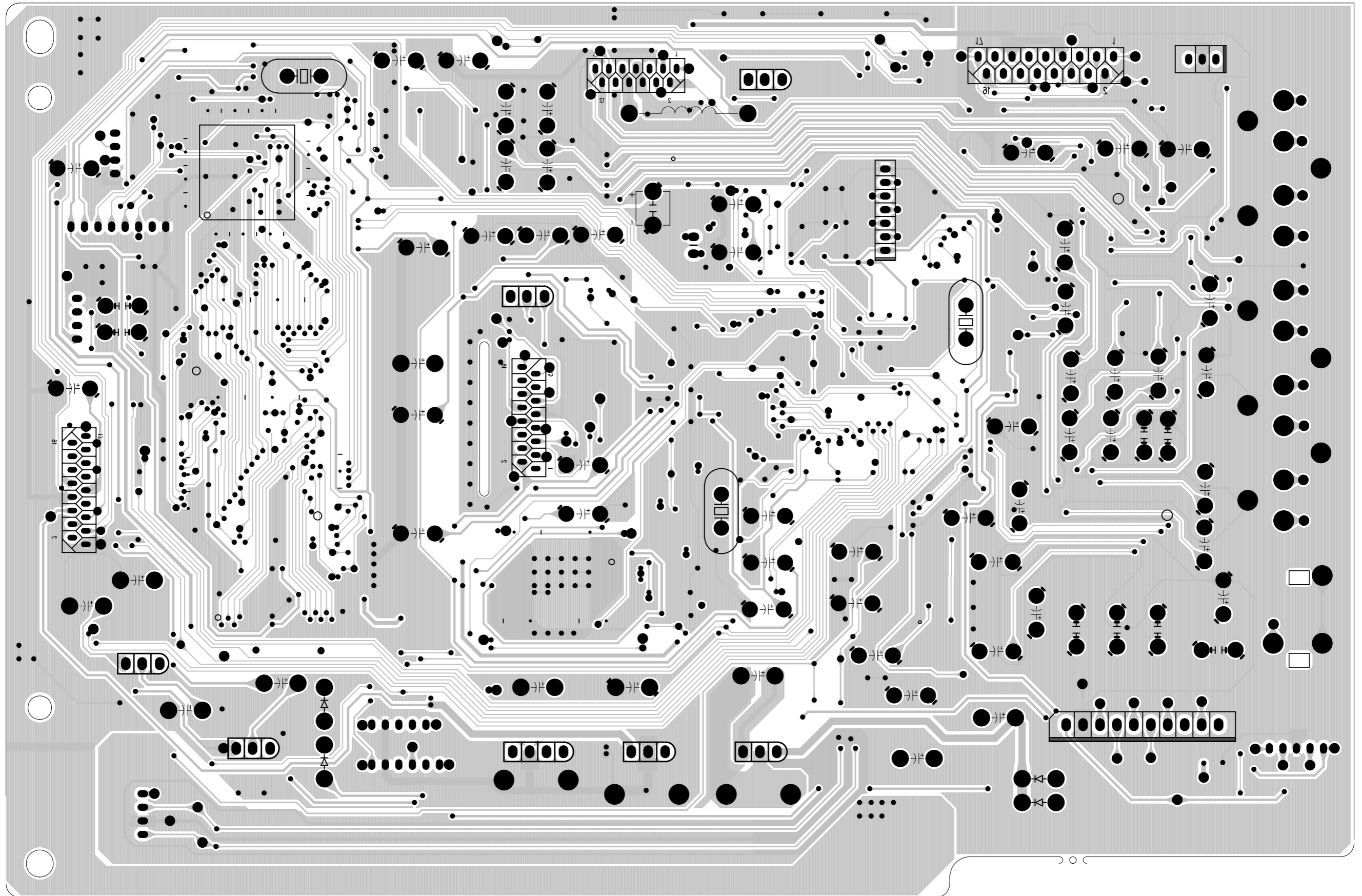
REF. NO.	PARTS NO.	DESCRIPTION	REMARKS
1	CGR1A345M7YG5	ORNAMENT, DOOR	
2	CGU1A347Z	WINDOW, FIP	
3	KGB1A047Z	BADGE	
4	CGK1A098YA	VOLUME KNOB ASS'Y	
5	CGR1A346MBC22	ORNAMENT, RING	
6	CKM1A164YC35	PANEL, FRONT (AL)	
7	CGL1A133	INDICATOR, STAND BY	
8	CGW1A406M7ZG5	PANEL, SUB	
9	CBT1A495M7G5	CAP, STAND BY	
10	CBT1A483	KNOB, STAND BY	
11	CBT1A493MBC22	KNOB, CPS	
12	CBT1A942M7G5	KNOB, MODE	
13	CBT1A943M7ZG5	KNOB, PLAY	
14		FIP	
15	CMD1A468	BRACKET, FIP	
16	CMD1A376	SUPPORT, LED	
17		FRONT PCB ASS'Y	
18		PHON PCB ASS'Y	
19		USB PCB ASS'Y	
20	CJDKSL2130CCM	CD SIGNLE MECHA	
21	CKL2A055H45	FOOT	
22	KHG1A050Y	CUSHION, FOOT	
23	CUA1A248	CHASSIS, BOTTOM	
24	CHE1A030	HOLDER, PCB	
25		AMP PCB ASS'Y	
26	CMY1A233	HEAT SINK	
27		AMP (2) PCB ASS'Y	
28	△	TRANS, POWER	
29	CGX1A361	SCREWSHEET, HIGH	
30	CGX1A362	SCREWSHEET, LOW	
31		POWER PCB ASS'Y	
32	CMH1A226	SCREWSUPPORT, PCB	
33	CMC1A253	SCREWPLATE, EARTH	
34	CMD1A565	SCREWBRACKET, PCB	
35		CLAMPING PCB	
36		MAIN PCB ASS'Y	
37	CNVMB114MA18L	TUNER MODULE	
38		SPEAKER PCB ASS'Y	
39	GKF3A282T	PANEL, REAR	
40	KHR1A028	BUSHING, AC CORD	
41	△ CJA2B043ZA	CORD, POWER (EUR) QDR-7100CC	[EUR]
	△ CJA2E045ZA	CORD, POWER	[UK]
42	CKC1B156S35	CABINET, TOP	
43	CMC1A283	PLATE, EARTH	
44	CMC1A285	PLATE, EARTH	
S1	CTB3+6J	SCREW	
S2	CTB3+6JFC	SCREW	
S3	CTB3+6JFZ	SCREW	
S4	CTB3+8G	SCREW	
S5	CTB3+8JFZ	SCREW	
S6	CTS3+8G	SCREW	
S7	CTS3+8JFC	SCREW	
S8	CTW3+8J	SCREW	
S9	CTB3+10G	SCREW	
S10	CTB3+10GFZ	SCREW	
S11	CTW3+12J	SCREW	
S12	CTW3+18J	SCREW	
S13	CTB4+6F	SCREW	
S14	CTB4+6FFC	SCREW	
S15	CTB3+8J	SCREW	
S16	CTB3+8GFZ	SCREW	
S17	CTB4+8F	SCREW	

### 3 PC BOARDS AND PARTS LIST

MAIN PCB (TOP VIEW)



MAIN PCB (VIEW FROM TOP SIDE)





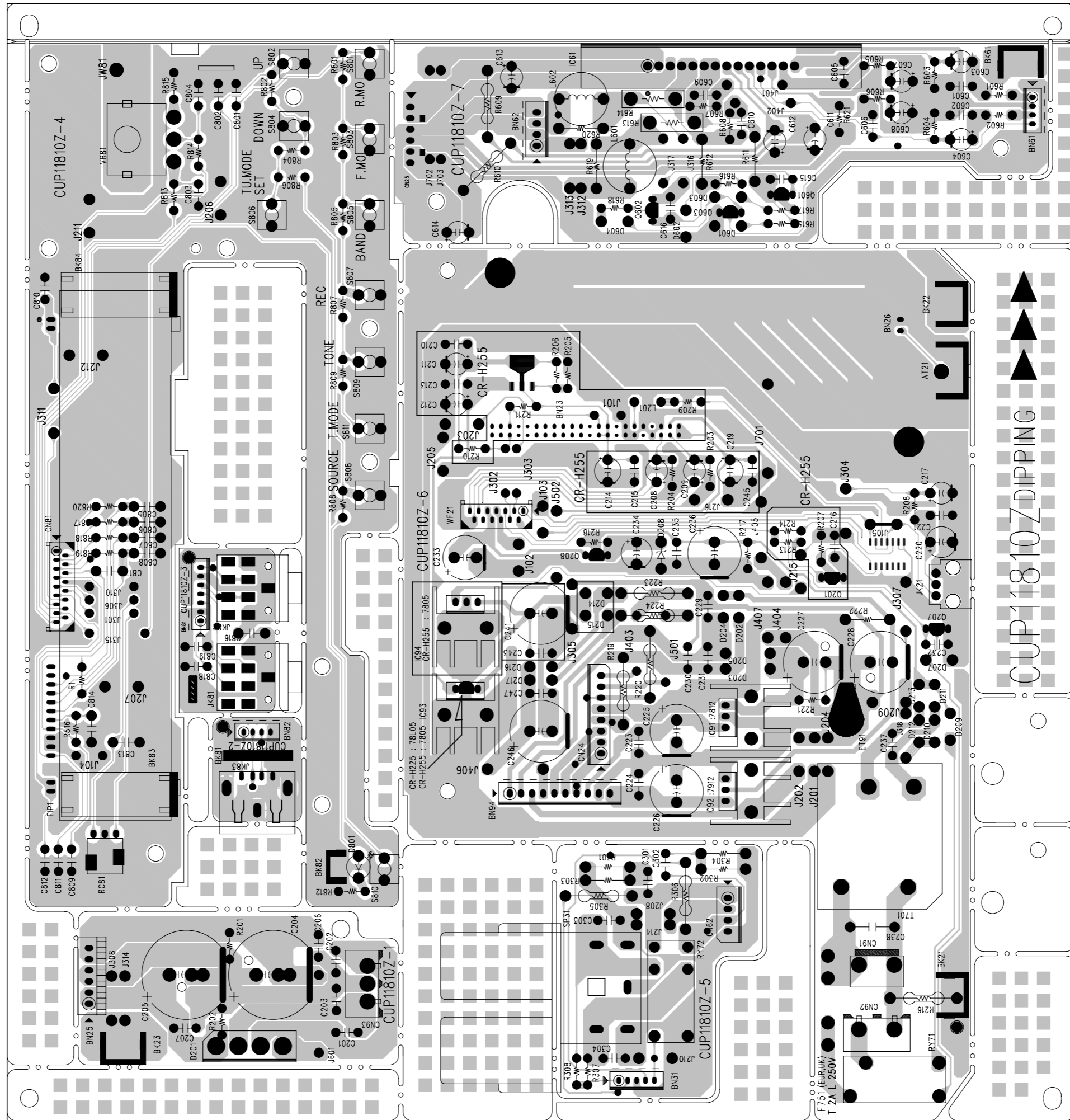
MAIN PCB ASSY

REF. NO.	PARTS NO.	DESCRIPTION
	COP11809B	PCB, MAIN ASS'Y
	CUP11809Z	PCB, MAIN
D101	HVD1SS355T	DIODE, CHIP
D401	HVDUDZS4.3BSR	DIODE, ZENER (CHIP, 4.3V)
D402	HVD1SS355T	DIODE, CHIP
D403	HVD1SS355T	DIODE, CHIP
D404	HVD1SS355T	DIODE, CHIP
D405	HVD1SS355T	DIODE, CHIP
D406	HVD1SS355T	DIODE, CHIP
D501	HVDUDZS9.1BSR	DIODE, ZENER (CHIP, 9.1V)
D502	HVD1SS355T	DIODE, ZENER (CHIP)
D901	HVDUDZS27BSR	DIODE, ZENER (CHIP)
D902	HVDUDZS9.1BSR	DIODE, ZENER (CHIP, 9.1V)
D905	HVDUDZS4.3BSR	DIODE, ZENER (CHIP, 4.3V)
D906	HVD1SS355T	DIODE, CHIP
IC11	HVITC94A54MFG01	I. C. DIGITAL SERVO
IC12	HVITA2125AFG	I. C. MOTOR DRIVER (Pb Free)
IC41	HVIST92F124V1T6	I. C. MCU (FLASH 128K, TQFP100)
IC42	HV1ISL1208IU8ZT	I. C. RTC
IC43	HVIRH5VT28C	I. C. RESET
IC51	HVINJM2068MDTE1	I. C. OP AMP
IC52	HVITDA7313NDTR	I. C. VOLUME
IC53	HVITC9163AF	I. C. FUNCTION
IC72	HVIM29W400DT70N	4M FLASH
IC73	HV1HY57V161610D	I. C. SDRAM(16M)
IC74	KVITCC760HC01AG	32BIT RISC CPU
IC75	HVIAK4554VT	16BIT CODEC
IC76	HV174VHC08TTR	I. C. AND-GATE
IC96	HVIRC1117ST	I. C. ADJ REGULATOR
IC97	HVIRC1117ST	I. C. ADJ REGULATOR
IC98	HVIRC1117ST	I. C. ADJ REGULATOR
L101	HLQ08E100KRZ	INDUCTOR CHIP
Q401	HVTKRC107S	T. R. CHIP
Q402	HVTKRA107ST	T. R. CHIP
Q403	HVTKTD1304T	T. R. CHIP (MUTE)
Q404	HVTKTD1304T	T. R. CHIP (MUTE)
Q409	HVTKRA107ST	T. R. CHIP
Q410	HVTKRC107S	T. R. CHIP
Q501	HVTKTD1304T	T. R. CHIP (MUTE)
Q502	HVTKTD1304T	T. R. CHIP (MUTE)
Q503	HVTKRA107ST	T. R. CHIP
D903	KVD1N4003SRT	DIODE
D904	KVD1N4003SRT	DIODE
D907	KVD1N4003SRT	DIODE
D908	KVD1N4003SRT	DIODE
Q101	HVTKTA1266YT	T. R
Q405	HVTKSB811YT	T. R
Q901	HVTKSC2316YT	T. R
Q902	HVTKSC2316YT	T. R
	C2K16001	BAR, SOLDER

MAIN PCB ASSY

REF. NO.	PARTS NO.	DESCRIPTION
	C2K26101	WIRE, SOLDER
	C8E534	FLUX
CN11	CJP05GA19ZY	WAFER, STRAIGHT, 5PIN
CN12	CJP06GA19ZY	WAFER, STRAIGHT, 6PIN
CN13	CJP16GA117ZY	WAFER
CN21	CJP13GA117ZY	WAFER, CARD CABLE
CN31	CJP05GA19ZY	WAFER, STRAIGHT, 5PIN
CN41	CJP04GA19ZY	WAFER, STRAIGHT, 4PIN
CN42	CJP07GA19ZY	WAFER, STRAIGHT, 7PIN
CN51	CJP03GA19ZY	WAFER, STRAIGHT, 3PIN
CN61	CJP04GA19ZY	WAFER, STRAIGHT, 4PIN
CN71	CJP08GA19ZY	WAFER, STRAIGHT, 8PIN
CN83	CJP04GA19ZY	WAFER, STRAIGHT, 4PIN
CN94	CJP10GA01ZY	CON WAFER 5267-10A
C421	HCESOHD104	CAP, GOLD
IC22	CVIKA78R05VA	I. C. ASS'Y
	CMY4A025	HEAT SINK
	CTB3+8J	SCREW
	HV1KA78R05	REGUL KA78R05TU
	K8AYG6260	COMPO
IC90	CVIKIA7808APIYA	I. C. ASS'Y
	CMY4A025	HEAT SINK
	CTB3+8J	SCREW
	HVINJM7805FA	I. C. NJM7805FA
	K8AYG6260	COMPOUND, SILICONE
JK51	CJJ4M046Z	JACK, BOARD
JK52	CJJ4P014W	JACK, IN/OUT
JK53	CJJ4R019W	TERMINAL, IN/OUT
L401	KLZ9H001Z	BEAD, CORE
WF64	CJP17GA115ZY	WAFER, CARDCABLE
WF81	CJP17GA117ZY	WAFER
X101	HOX16934E120C	CRYSTAL, 16.934MHZ
X401	HOX04000E150C	CRYSTAL, 4MHZ
X402	HOX00032K120I	CRYSTAL, 32.768KHZ
X701	HOX12000E200C	CRYSTAL, 12MHZ

POWER PCB (TOP VIEW)



## POWER PCB ASSY (1/4)

REF. NO.	PARTS NO.	DESCRIPTION	
	COP11810B	PCB, POWER ASS'Y	CR-H255 only
	COP11810C	POWER PCB ASS'Y	CR-H255 only
	CUP11810Z	PCB, POWER	
AT21	CJJ3G012Z	ANT, TEMINAL	CR-H255 only
BK21-23	CMD1A387	BRACKET, PCB	
BK61	CMD1A387	BRACKET, PCB	
BK81	CMD1A566	BRACKET, USB	
BK82	CMD1A376	SUPPORT, LED	
BK83-84	CMD1A468	BRACKET, FLT	
BK86	CMC1A111	PLATE, EARTH	
BN23	CJP44TT153ZY	PIN HEADER (2.00MM)	CR-H255 only
BN25	KJP06HB60ZY	HOUSING, ANGLE	
BN26	KJP02TT155ZY	PIN HEADER (2.54MM)	CR-H255 only
BN31, 61	CWB2B005150EN	WIRE ASS'Y	
BN62	CWB1D004200BM	WIRE, ASS'Y	
BN81	CWZCRH250MKN81	SHIELD WIRE ASS'Y	
BN82	CWZCRH250MKN82	SHIELD WIRE ASS'Y	
BN94	CWB1C010130BM	WIRE ASS'Y	
C201	HCQ11H104JZT	CAP, MYLAR	
C202-203	HCQ11H103JZT	CAP, MYLAR	
C204-205	CCEA1HH332E	CAP, ELECT	
C206-206	HCQ11H103JZT	CAP, MYLAR	
C208-209	CCEA1HH4R7T	CAP, ELECT	CR-H255 only
C210	CCKT1H223ZF	CAP, CERAMIC	CR-H255 only
C211-212	CCEA1CH470T	CAP, ELECT	CR-H255 only
C213	CCKT1H223ZF	CAP, CERAMIC	CR-H255 only
C214	CCEA1AH471T	CAP, ELECT	CR-H255 only
C215-216	CCKT1H223ZF	CAP, CERAMIC	CR-H255 only
C217	CCEA1AH101T	CAP, ELECT	CR-H255 only
C219	CCEA1AH471T	CAP, ELECT	CR-H255 only
C220	CCEA1CH101T	CAP, ELECT	
C221	CCKT1H223ZF	CAP, CERAMIC	
C223-224	CCKT1H104ZF	CAP, CERAMIC	
C225-226	CCEA1CH102E	CAP, ELECT	
C227-228	CCEA1EH222E	CAP, ELECT	
C229-231	CCKT1H104ZF	CAP, CERAMIC	
C232	CCKT1H223ZF	CAP, CERAMIC	
C233	CCEA1EH331T	CAP, ELECT	
C234	CCEA1CH101T	CAP, ELECT	
C235	CCKT1H104ZF	CAP, CERAMIC	
C236	CCEA1EH471E	CAP, ELECT	
C237	CCKT1H104ZF	CAP, CERAMIC	
C238	△ KCKDKS472ME	CAP, CERAMIC (X1/Y2/SC)	
C241	CCEA1EH102E	CAP, ELECT	
C243, 245	CCKT1H103ZF	CAP, CERAMIC	CR-H255 only
C246	CCEA1EH102E	CAP, ELECT	
C247	CCKT1H104ZF	CAP, CERAMIC	
C301-302	HCQ11H104JZT	CAP, MYLAR	
C303-304	HCQ11H682JZT	CAP, MYLAR	
C601-602	CCKT1H471KB	CAP, CERAMIC	
C603-604	CCEA1HH100T	CAP, ELECT	
C605-606	CCKT1H221KB	CAP, CERAMIC	
C607-608	CCEA1AH101T	CAP, ELECT	
C609-610	CCCT1H050CC	CAP, CERAMIC	
C611-612	CCEA1HH101T	CAP, ELECT	
C613-614	CCEA1HH100T	CAP, ELECT	
C615-616	HCQ11H473JZT	CAP, MYLAR	
C801-804	CCKT1H103ZF	CAP, CERAMIC	
C805-807	HCBS1H221KBT	CAP, CERAMIC	
C808	HCBS1H104ZFT	CAP, CERAMIC	

## POWER PCB ASSY (2/4)

REF. NO.	PARTS NO.	DESCRIPTION	
C809	CCKT1H104ZF	CAP, CERAMIC	
C810-812	CCKT1H103ZF	CAP, CERAMIC	
C813	HCBS1H103ZFT	CAP, CERAMIC	
C814	HCBS1H390JT	CAP, CERAMIC	
C816	CCKT1H104ZF	CAP, CERAMIC	
C817	HCBS1H104ZFT	CAP, CERAMIC	
C818-819	HCQ11H272JZT	CAP, MYLAR	
CN24	CJP08GA01ZY	WAFER, STRAIGHT, 8PIN	
CN25	KJP06GA63ZY	WAFER	
CN62	CJP04GA01ZY	WAFER, STRAIGHT, 4PIN	
CN81	CJP17GB113ZY	WAFER	
CN91	KJP02KA060ZY	WAFER	
CN92	KJP02GA89ZM	WAFER	
CN93	KJP03GA90ZM	WAFER	
D201	HVDPBU604F	DIODE, BRIDGE	
D202, 204	KVD1N4003SRT	DIODE	
D203, 205	KVD1N4003ST	DIODE	
D207, 209	HVD1SS133MT	DIODE	
D208	HVDMTZJ6.8BT	DIODE, ZENER	
D210-213	KVD1N4003SRT	DIODE	
D214-215	KVD1N4003SRT	DIODE	CR-H255 only
D216-217	KVD1N4003SRT	DIODE	
D601-604	HVD1SS133MT	DIODE	
D801	HVD342YCTB7T089	L. E. D, YELLOW	
ET91	CNE75	PLATE, EARTH	
F751	△ KJCF5S	HOLDER, FUSE	
FIP1	HFLHCA-17SM03T	FIP	
IC21	HV174HC4066D	I. C, SWITCHING (QUAD)	CR-H255 only
IC61	BV1STK442-050	I. C, HYBRID 2CH (SANYO)	
IC91-92	CVINJM7812FAYA	I. C ASS'Y	
	CMY1A025	HEAT SINK	
	CTB3+8J	SCREW	
	HVINJM7812FA	I. C, REGULATOR	
	K8AYG6260	COMPOUND, SILICONE	
IC93-94	CVINJM7805FAXA	I. C ASS'Y	
	CMY1A025	HEAT SINK	
	CTB3+8J	SCREW	
	HVINJM7812FA	I. C, REGULATOR	
	K8AYG6260	COMPOUND, SILICONE	
IC95	HVIRC1117ST	I. C, ADJ REGULATOR	CR-H255 only
J101-104	C3A206	WIRE, COPPER	
J105	C3A206	WIRE, COPPER	CR-H255 only
JK21	HJST0TX177L	MODULE, OPTICAL (TX)	
JK81-82	HJJ2E027Z	JACK, HEADPHONE	
JK83	HJJ9X001Z	JACK, USB	
JW81	CWE8202050AV	WIRE ASS'Y	
L201	HLQ02C2R7KT	COIL, AXIAL	CR-H255 only
L601-602	CLEYOR5KAK	COIL, SPEAKER	
Q201	HVTKRC107MT	T. R	CR-H255 only
Q207	HVTKRC107MT	T. R	
Q208	HVTKSC2316YT	T. R	
Q601-602	HVTKSA1175YT	T. R	
Q603	HVTKRC107MT	T. R	
R1	CRD20TJ272T	RES, CARBON	
R201-202	CRD20TJ183T	RES, CARBON	
R203-204	CRD20TJ473T	RES, CARBON	CR-H255 only
R205	CRD20TJ391T	RES, CARBON	CR-H255 only
R206	CRD20TJ221T	RES, CARBON	CR-H255 only
R207	CRD20TJ103T	RES, CARBON	CR-H255 only
R208	CRD20TJ1R0T	RES, CARBON	

## 4 INCLUDED ACCESSORIES

### INCLUDED ACCESSORIES

REF. NO.	PARTS NO.	DESCRIPTION	REMARKS
	CQX1A1041Z	MANUAL, INSTRUCTION	9A10355500 CR-H225 5L [UK, EUR]
	CQX1A1042Z	MANUAL, INSTRUCTION	9A10355200 CR-H255 ENGLISH[UK]
	CQX1A1044Z	MANUAL, INSTRUCTION	9A10355400 CR-H225 ENGLISH[UK, EUR]
	CQX1A1045Z	MANUAL, INSTRUCTION	9A10355300 CR-H255 GERMAN [EUR]
		CAUTION SHEET	W182x3 H257 6L
	CARTCRH255	REMOCON ASS'Y	RC-1038
	CQX1A645Y	WARRANTY CARD	
	CSA1A018Z	FM 1 POLE ANT	
	CSA1A020Z	AM LOOP ANT	
	CSA272	ANT, DAB T	CR-H255 ONLY
	HABAAAM1.5V	BATTERY	AAA x 2

# CR-H225 / 255

TEAC CORPORATION 3-7-3, Nakacho, Musashino-shi, Tokyo 180-8550, Japan Phone: (0422) 52-5081

TEAC AMERICA, INC. 7733 Telegraph Road, Montebello, California 90640 Phone: (323) 726-0303

TEAC CANADA LTD. 5939 Wallace Street, Mississauga, Ontario L4Z 1Z8, Canada Phone: (905) 890-8008

TEAC MEXICO, S.A. De C.V. Campesinos N° 184, Colonia Granjas Esmeralda, Delegacion Iztapalapa, CP 09810, México DF Phone: (525) 581-5500

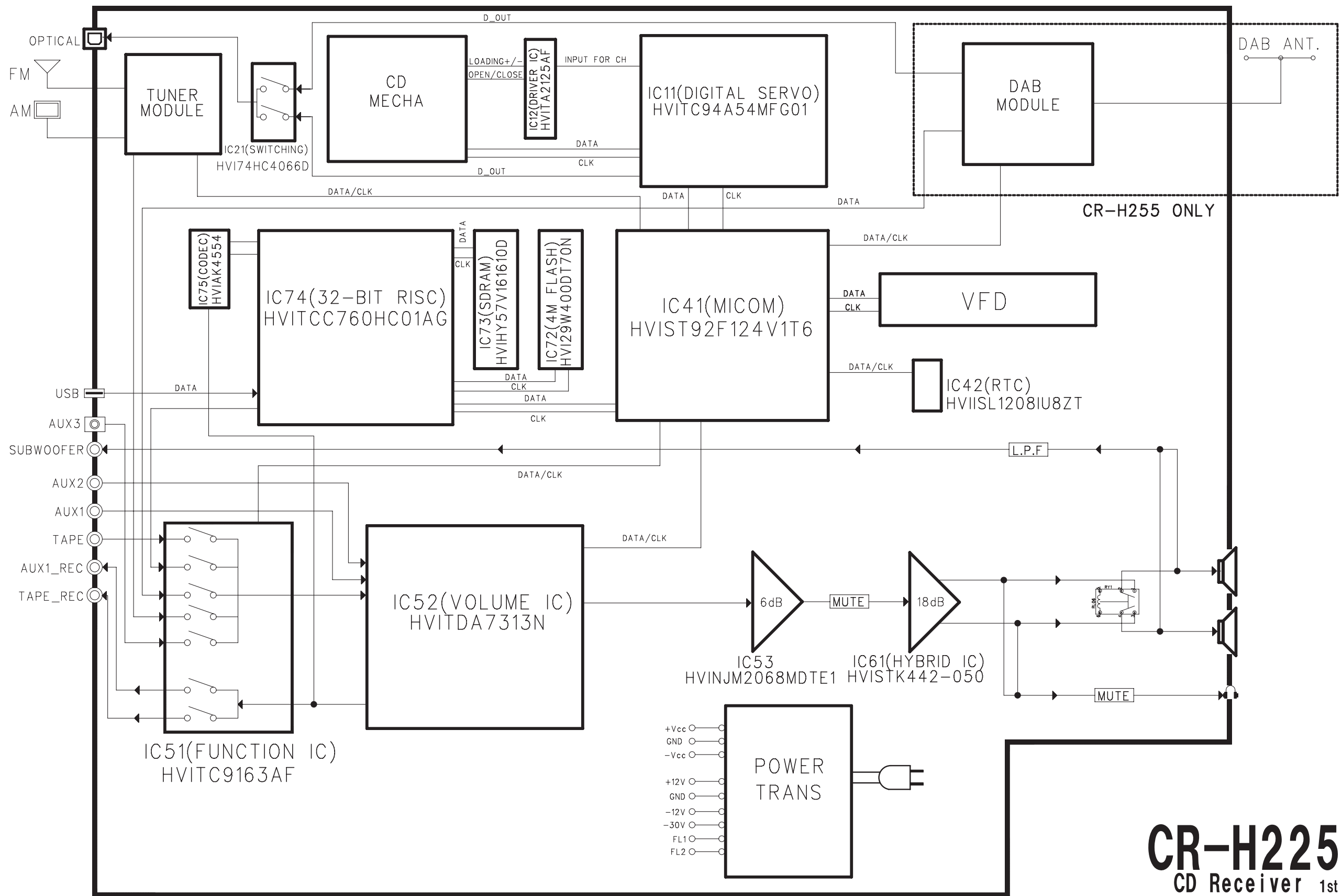
TEAC UK LIMITE Unit 19 & 20, The Courtyards, Hatters Lane, Watford, Hertfordshire, WD18 8TE, U.K. Phone: (0845) 130-2511

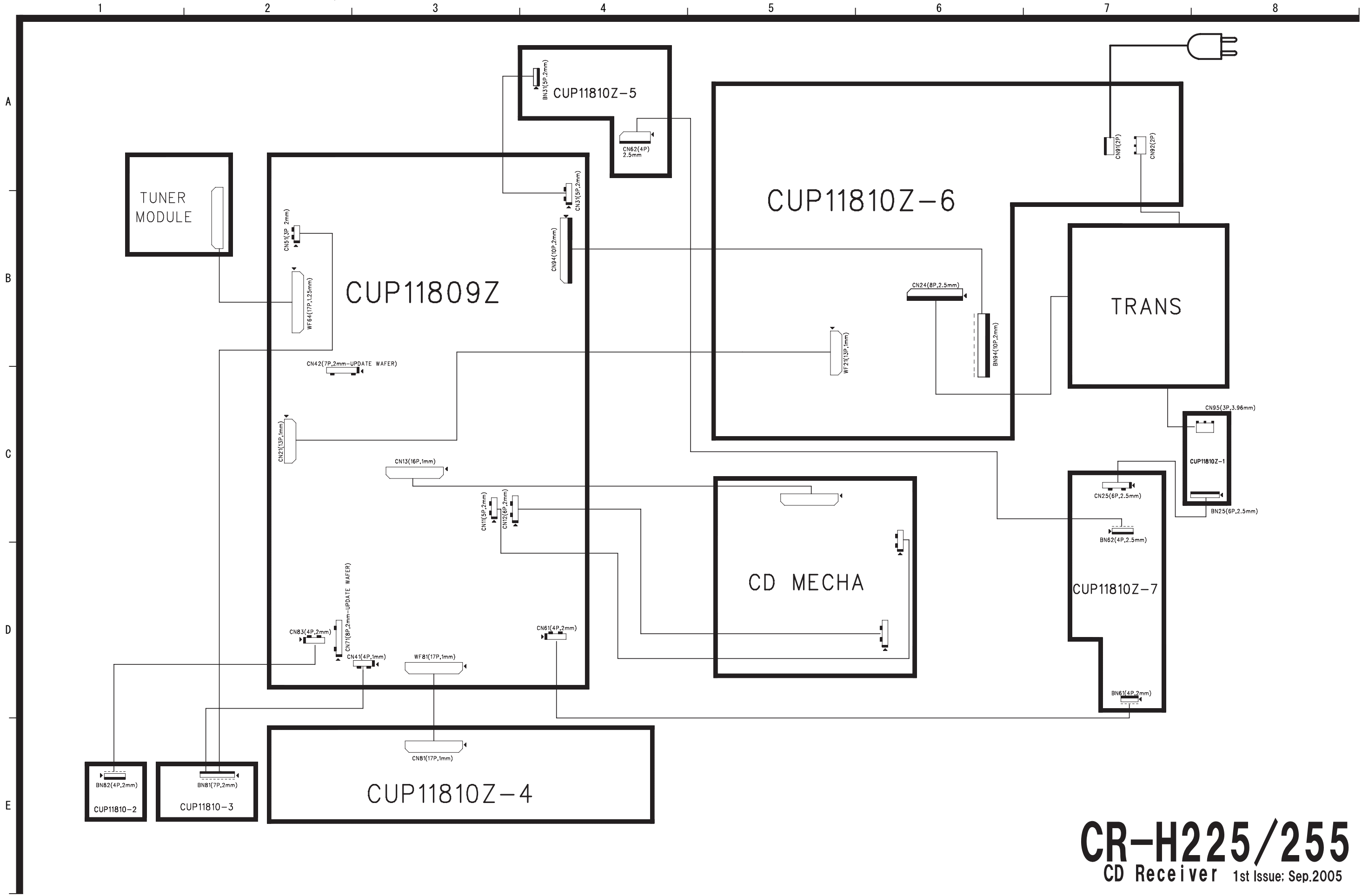
TEAC EUROPE GmbH Bahnstrasse 12, 65205 Wiesbaden-Erbenheim, Germany Phone: 0611-71580

TEAC ITALIANA S.p.A. Via C. Cantù 9/A, 20092 Cinisello Balsamo, Milano, Italy Phone: 02-66010500

TEAC AUSTRALIA PTY., LTD. 280 William Street, Melbourne VIC 3000, Australia Phone: (03) 9672-2400  
A. B. N. 80 005 408 462

A  
B  
C  
D  
E





A  
B  
C  
D  
E

